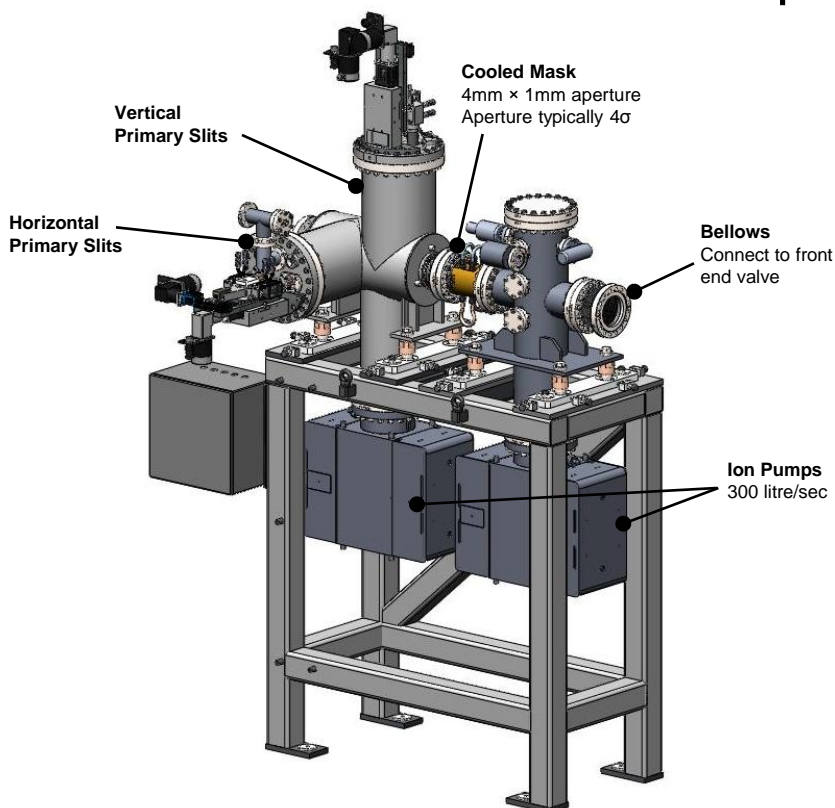


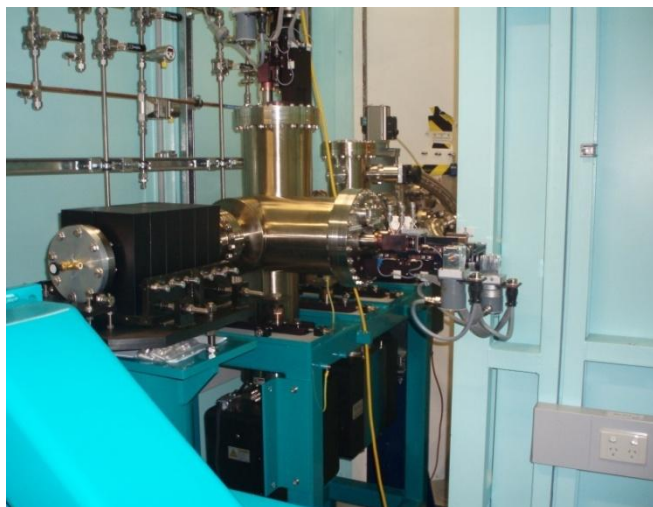
Features

- Fixed cooled mask with 2x3mm aperture as required.
- Differential pumping across fixed mask.
- White beam slits V & H pairs.
- Single pre-aligned support system.
- Sand filled stand for damping.
- All wiring to local junction box with standard connectors.
- Varian or Gamma 300L/sec ion pumps can be fitted.
- Multiple CF70 gauge ports for vacuum gauges etc.
- Survey tooling ball mounts for use with laser tracker.
- Pre-aligned system ready to install.
- Proven solution @ ID5 - Australian Synchrotron, HPCAT - APS.

Undulator Windowless Interface: Fixed Mask and Differential Pump



Above: 3D differential pump & fixed mask plus white beam slits



Above: Assembly shown in position on ID5 Micro-Spectroscopy beamline at the Australian Synchrotron