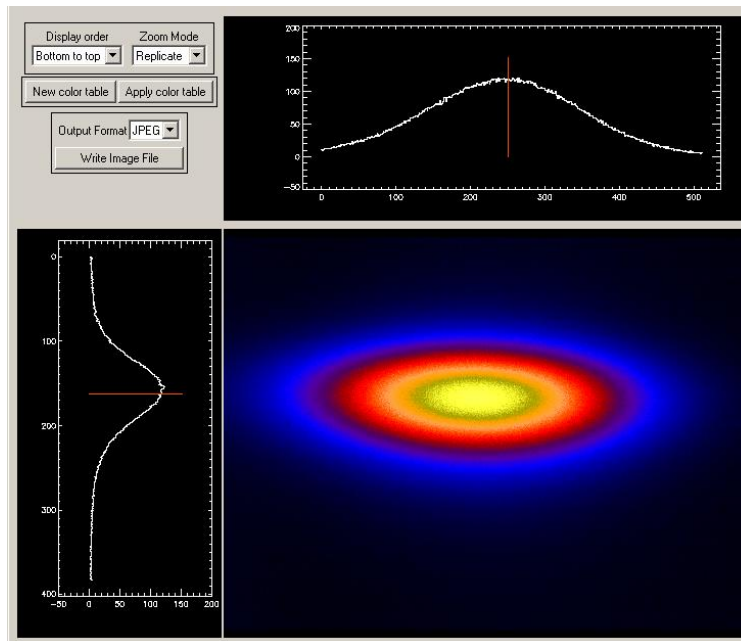
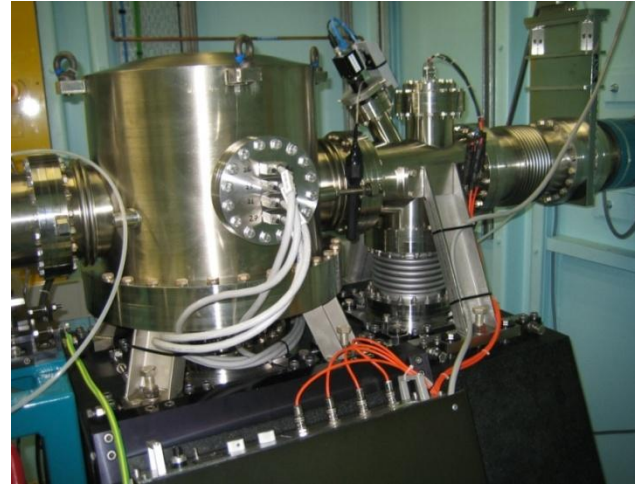
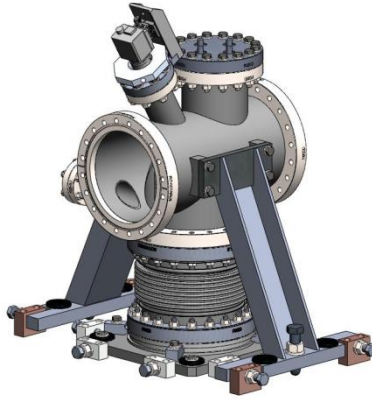


Features

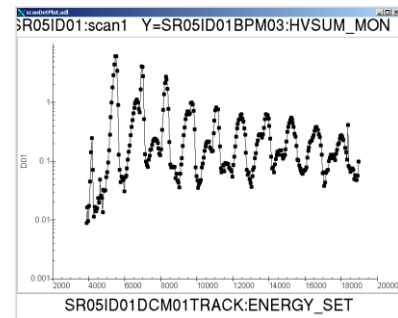
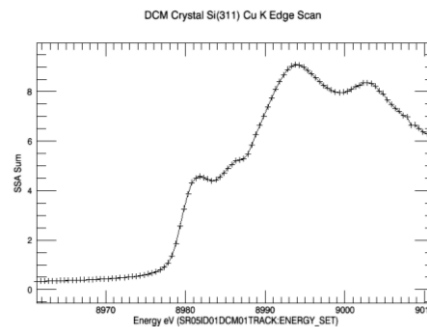
- Ultra stable granite block- measured amplification factor of 1.
- Multi-foil spinner- with wide energy range 4-25 KeV.
- Ultra thin foils (sub-micron thickness).
- Ultra flat foils (sub-micron).
- Built in fluorescent screen 0.25mm with high resolution CCD camera. & optics
- EPICS driver for CCD camera.
- Quad diode system for intensity & position beam measurements.
- Easy fast feedback to DCM pitch & focusing mirror pitch.
- Clear beam position.
- Focus & align beam using optical components.
- Dual or single mounting on granite block with sub micron accuracy translatable vertical & horizontal slit assembly.

Quad Diode Assembly & Fluorescent Screen*



Above: Photo of quad diode & secondary source aperture installed on ID5 Micro-Spectroscopy beamline at the Australian Synchrotron.

Left: Focused undulator beam image on YAG crystal viewed using CCD camera.



Above: Cu K edge & undulator energy scan using quad diode sum intensity.

* Not for sale in the USA

Instrument Design Technology Ltd
Unit 2, Turnstone Business Park,
Mulberry Avenue, Widnes,
Cheshire, WA8 0WN, England.

Queries?
email: murray@idtnet.co.uk
Tel: +44 (0)151 601 4111
Fax: +44 (0)151 601 4110